

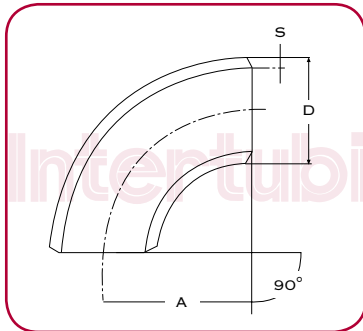


**CURVE 90° RAGGIO = 1,5D
(45° su richiesta)**

ASME B16.9 ASTM A 403
WP 304/304L E WP 316/316L

**LONG RADIUS ELBOWS 90°
(45° on request)**

ASME B16.9 ASTM A 403
WP 304/304L AND WP 316/316L



Ø est. mm x Spess. mm Outs. diam. mm x Thckn mm	Dimensioni Dimensions	Peso Kg/pz. Weight Kg/pcs.	Raggio Radius
21.34 x 2.11	1/2" SCH 10S	0.06	38
21.34 x 2.77	1/2" SCH 40S	0.08	38
21.34 x 3.73	1/2" SCH 80S	0.10	38
21.34 x 4.78	1/2" SCH 160	0.15	38
26.67 x 2.11	3/4" SCH 10S	0.07	38
26.67 x 2.87	3/4" SCH 40S	0.09	38
26.67 x 3.91	3/4" SCH 80S	0.11	38
26.67 x 5.56	3/4" SCH 160	0.23	38
33.40 x 2.77	1" SCH 10S	0.14	38
33.40 x 3.38	1" SCH 40S	0.16	38
33.40 x 4.55	1" SCH 80S	0.22	38
33.40 x 6.35	1" SCH 160	0.25	38
42.16 x 2.77	1.1/4" SCH 10S	0.23	48
42.16 x 3.56	1.1/4" SCH 40S	0.25	48
42.16 x 4.85	1.1/4" SCH 80S	0.40	48
42.16 x 6.35	1.1/4" SCH 160	0.42	48
48.26 x 2.77	1.1/2" SCH 10S	0.30	57
48.26 x 3.68	1.1/2" SCH 40S	0.40	57
48.26 x 5.08	1.1/2" SCH 80S	0.51	57
48.26 x 7.14	1.1/2" SCH 160	0.65	57
60.33 x 2.77	2" SCH 10S	0.51	76
60.33 x 3.91	2" SCH 40S	0.71	76
60.33 x 5.54	2" SCH 80S	0.91	76
60.33 x 8.71	2" SCH 160	1.33	76
73.03 x 3.05	2.1/2" SCH 10S	0.85	95
73.03 x 5.16	2.1/2" SCH 40S	1.36	95
73.03 x 7.01	2.1/2" SCH 80S	1.81	95
73.03 x 9.53	2.1/2" SCH 160	2.33	95
88.90 x 3.05	3" SCH 10S	1.22	114
88.90 x 5.49	3" SCH 40S	2.18	114

Ø est. mm x Spess. mm Outs. diam. mm x Thckn mm	Dimensioni Dimensions	Peso Kg/pz. Weight Kg/pcs.	Raggio Radius
88.90 x 7.62	3" SCH 80S	2.98	114
88.90 x 11.13	3" SCH 160	3.83	114
114.30 x 3.05	4" SCH 10S	2.15	152
114.30 x 6.02	4" SCH 40S	4.17	152
114.30 x 8.56	4" SCH 80S	6.18	152
114.30 x 13.49	4" SCH 160	8.02	152
141.30 x 3.40	5" SCH 10S	3.63	190
141.30 x 6.55	5" SCH 40S	6.86	190
141.30 x 9.53	5" SCH 80S	9.58	190
168.28 x 3.40	6" SCH 10S	4.90	229
168.28 x 7.11	6" SCH 40S	10.90	229
168.28 x 10.97	6" SCH 80S	16.33	229
219.08 x 3.76	8" SCH 10S	10.66	305
219.08 x 8.18	8" SCH 40S	21.50	305
219.08 x 12.70	8" SCH 80S	33.11	305
273.05 x 4.19	10" SCH 10S	19.50	381
273.05 x 9.27	10" SCH 40S	38.60	381
323.85 x 4.57	12" SCH 10S	27.22	457
323.85 x 9.53	12" SCH 40S	59.40	457
355.60 x 4.78	14" SCH 10S	36.30	533
355.60 x 9.53	14" SCH 40S	70.30	533
406.40 x 4.78	16" SCH 10S	47.63	610
406.40 x 9.53	16" SCH 40S	91.60	610
457.20 x 4.78	18" SCH 10S	59.87	686
457.20 x 9.53	18" SCH 40S	113.00	686
508.00 x 5.54	20" SCH 10S	99.79	762
508.00 x 9.52	20" SCH 40S	140.00	762
609.60 x 6.35	24" SCH 10S	140.61	914
609.60 x 9.52	24" SCH 40S	207.80	914

Nota: i dati tecnici su questo catalogo sono indicativi e non impegnativi / Note: the technical data reported in this catalogue is proximate and not binding.
Data di emissione: 2014 Revisione: 01 / Date of issue: 2014 Revision: 01

Copyright © Intertubi S.p.a. Tutti i diritti sono riservati / Copyright © Intertubi S.p.a. All rights reserved