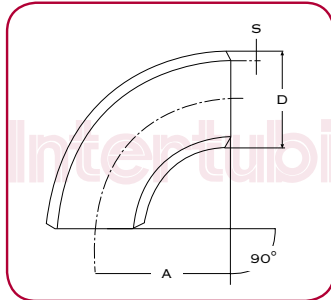




### CURVE 90°

RAGGIO= 1,5 D  
SENZA SALDATURA ASME B16.9



### LONG RADIUS

SEAMLESS ELBOWS  
(RADIUS = 1.5)

CARBON STEEL

D.E. POLLICI D.E. INCHES	Ø EST. MM X SPESS. MM OUTS. DIAM. MM X THICKN MM	SCH	RAGGIO RADIUS	H	PESO TEORICO THEORETICAL WEIGHT
1/2"	21,3 x 2,77	Std	38*	48	0,08
	21,3 x 3,73	Xs			0,10
	21,3 x 4,75	160			0,12
	21,3 x 7,47	XXs			0,15
3/4"	26,7 x 2,87	Std	38*	51	0,09
	26,7 x 3,91	Xs			0,11
	26,7 x 5,54	160			0,12
	26,7 x 7,82	XXs			0,17
1"	33,4 x 3,38	Std	38*	56	0,15
	33,4 x 4,55	Xs			0,20
	33,4 x 6,35	160			0,26
	33,4 x 9,09	XXs			0,33
1 1/4"	42,4 x 3,56	Std	48	70	0,26
	42,4 x 4,85	Xs			0,34
1 1/2"	48,3 x 3,68	Std	57	83	0,37
	48,3 x 5,08	Xs			0,49
	48,3 x 7,14	160			0,65
	48,3 x 10,16	XXs			0,86
2"	60,3 x 3,91	Std	76	106	0,65
	60,3 x 5,54	Xs			0,90
	60,3 x 8,71	160			1,33
	60,3 x 11,07	XXs			1,61
2 1/2"	73,1 x 5,16	Std	95	132	1,29
	73,1 x 7,01	Xs			1,71
	73,1 x 9,53	160			2,23
	73,1 x 14,02	XXs			3,06
3"	88,9 x 3,96	20	114	159	1,50
	88,9 x 5,49	Std			2,03
	88,9 x 7,62	Xs			2,74
	88,9 x 11,13	160			3,83
	88,9 x 15,24	XXs			4,97

D.E. POLLICI D.E. INCHES	Ø EST. MM X SPESS. MM OUTS. DIAM. MM X THICKN MM	SCH	RAGGIO RADIUS	H	PESO TEORICO THEORETICAL WEIGHT
3 1/2"	101,6 x 5,74	Std	133	184	2,85
	101,6 x 8,08	Xs			3,91
4"	114,3 x 4,37	20	152	210	2,92
	114,3 x 6,02	Std			3,85
	114,3 x 8,56	Xs			5,35
	114,3 x 11,13	120			6,78
	114,3 x 13,49	160			8,03
5"	141,3 x 17,12	XXs	190	262	9,82
	141,3 x 6,55	Std			6,52
	141,3 x 9,53	Xs			9,26
	141,3 x 12,70	120			12,00
	141,3 x 15,88	160			14,70
6"	141,3 x 19,05	XXs	229	313	17,20
	168,3 x 4,76	20			6,50
	168,3 x 7,11	Std			10,20
	168,3 x 10,97	Xs			15,30
	168,3 x 14,27	120			19,50
	168,3 x 18,24	160			24,30
8"	168,3 x 21,95	XXs	305	414	28,50
	219,1 x 6,35	20			16,00
	219,1 x 7,04	30			17,60
	219,1 x 8,18	Std			20,40
	219,1 x 10,31	60			25,40
	219,1 x 12,70	Xs			30,90
	219,1 x **15,06	100			** 43,30
	219,1 x 18,24	120			43,30
	219,1 x **20,62	140			** 53,30
	219,1 x **22,23	XXs			** 53,30
219,1 x 23,01	160	53,30			

\* SU RICHIESTA 28 / ON REQUEST 28

D.E. POLLICI D.E. INCHES	Ø EST. MM X SPESS. MM OUTS. DIAM. MM X THICKN MM	SCH	RAGGIO RADIUS	H	PESO TEORICO THEORETICAL WEIGHT
10"	273,0 x 6,35	20	381	518	24,99
	273,0 x 7,80	30			30,53
	273,0 x 9,27	Std			36,08
	273,0 x 12,70	Xs			48,79
	273,0 x 15,06	80			57,44
	273,0 x **18,24	100			**79,60
	273,0 x 21,41	120			79,60
	273,0 x **25,40	140/ XXs			**103,10
	273,0 x 28,58	160			103,10
12"	<b>323,9 x 6,35</b>	<b>20</b>	457	619	<b>35,70</b>
	<b>323,9 x 8,38</b>	<b>30</b>			<b>46,80</b>
	<b>323,9 x 9,53</b>	<b>Std</b>			<b>53,00</b>
	<b>323,9 x 10,31</b>	<b>40</b>			<b>57,30</b>
	<b>323,9 x 12,70</b>	<b>Xs</b>			<b>70,00</b>
	<b>323,9 x 14,27</b>	<b>60</b>			<b>78,20</b>
	<b>323,9 x 17,45</b>	<b>80</b>			<b>94,80</b>
	<b>323,9 x **21,41</b>	<b>100</b>			<b>**134,00</b>
	<b>323,9 x 25,40</b>	<b>120/ XXs</b>			<b>134,00</b>
	<b>323,9 x **28,58</b>	<b>140</b>			<b>**171,00</b>
	<b>323,9 x 33,32</b>	<b>160</b>			<b>171,00</b>
14"	355,6 x 6,35	10	533	711	45,80
	355,6 x 7,92	20			56,90
	355,6 x 9,53	Std			68,10
	355,6 x **11,13	40			**90,00
	355,6 x 12,70	Xs			90,00
14"	<b>355,6 x 19,05</b>	<b>80</b>	533	711	<b>132,00</b>
	<b>355,6 x **23,80</b>	<b>100</b>			<b>**187,91</b>
	<b>355,6 x 27,76</b>	<b>120</b>			<b>187,91</b>
	<b>355,6 x **31,75</b>	<b>140</b>			<b>**235,86</b>
	<b>355,6 x 35,71</b>	<b>160</b>			<b>235,86</b>
16"	406,4 x **6,35	10	610	813	74,58
	406,4 x 7,92	20			74,58
	406,4 x 9,53	Std			89,20
	406,4 x 12,70	Xs			118,00
	406,4 x 16,66	60			153,00
	406,4 x 21,41	80			195,00
	406,4 x **26,19	100			274,51
	406,4 x 30,94	120			274,51
	406,4 x **36,53	140			350,00
	406,4 x 40,46	160			350,00

D.E. POLLICI D.E. INCHES	Ø EST. MM X SPESS. MM OUTS. DIAM. MM X THICKN MM	SCH	RAGGIO RADIUS	H	PESO TEORICO THEORETICAL WEIGHT
18"	<b>457,0 x **6,35</b>	<b>10</b>	686	914	<b>** 113,00</b>
	<b>457,0 x **7,92</b>	<b>20</b>			<b>** 113,00</b>
	<b>457,0 x 9,53</b>	<b>Std</b>			<b>113,00</b>
	<b>457,0 x **11,13</b>	<b>30</b>			<b>** 150,00</b>
	<b>457,0 x 12,70</b>	<b>Xs</b>			<b>150,00</b>
	<b>457,0 x 14,27</b>	<b>40</b>			<b>168,00</b>
	<b>457,0 x 19,05</b>	<b>60</b>			<b>197,15</b>
	<b>457,0 x 23,80</b>	<b>80</b>			<b>243,63</b>
20"	508,0 x **6,35	10	762	1016	** 140,00
	508,0 x 9,53	Std			140,00
	508,0 x 12,70	Xs			186,00
	508,0 x 15,06	40			219,00
	508,0 x **20,62	60			** 372,00
22"	508,0 x 26,19	80			372,00
	<b>558,8 x 9,53</b>	<b>Std</b>	838	1118	<b>170,00</b>
	<b>558,8 x 12,70</b>	<b>Xs</b>			<b>225,00</b>
24"	609,6 x **6,35	10	914	1219	** 202,00
	609,6 x 9,53	Std			202,00
	609,6 x 12,70	Xs			268,00
	609,6 x **14,27	30			** 366,00
	609,6 x 17,48	40			366,00
	609,6 x 24,59	60			634,00
	609,6 x 30,94	80			634,00
28"	<b>711,0 x 7,92</b>	<b>10</b>	1067	1423	<b>230,00</b>
	<b>711,0 x 9,53</b>	<b>Std</b>			<b>276,00</b>
	<b>711,0 x 12,70</b>	<b>Xs</b>			<b>366,00</b>
30"	762,0 x 9,53	Std	1143	1524	317,00
	762,0 x 12,70	Xs			421,00
32"	<b>812,8 x 9,53</b>	<b>Std</b>	1219	1625	<b>361,00</b>
	<b>812,8 x 12,70</b>	<b>Xs</b>			<b>472,00</b>

\*\* TAPERED FROM HIGHER SCHEDULE